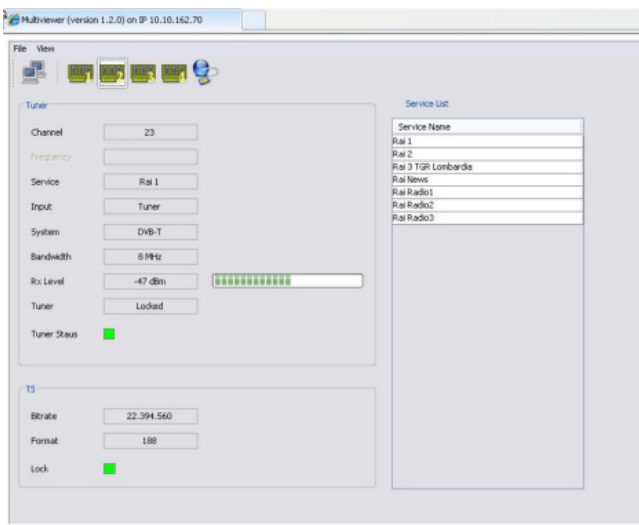


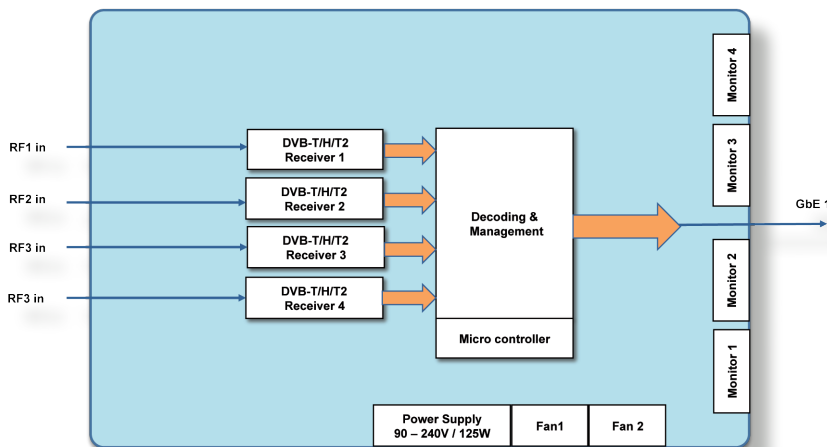
## Multiviewer Monitoring System



Front View



Java Control



Block Diagram

## Description

The new MWT family is a professional, attractively priced and compact solution for monitoring digital TV networks. It includes the DVB-T/T2 and the DVB-S/S2 receivers. Typical fields of applications for the MWT family are signal monitoring at the transmitter site, the satellite uplink or the head end. Simultaneous monitoring of up to four signals T/T2 (option S/S2) with possibility to show 4 programs in the same time on display. 4 mini display HD Extensive RF measurements for DVB-T/T2 and DVB-S/S2 signals Available with CAM for encryption monitoring Modular and extremely compact design (3 RU)

## Main Features

- LED backlight provides longer life, uses less power and provides better color saturation
- Space saving design - occupies only 3 RU
- Front controls for power, contrast, tint, color, brightness and NTSC/PAL selection
- Composite video loop through capability for all 4 monitors (always active regardless of power). Loop out termination is provided by auto termination switch in the BNC connector
- Self-powered 3 color tally system
- Low power consumption
- Case made of durable aluminum & steel
- Active matrix technology allows wide viewing angle
- Active matrix technology eliminates distortion
- Single A/C adaptor power supply provides power for all 4 monitors (included)
- Response Time: 10ms/10ms (Rising/Falling)

## DVB-T features

DVB-T signal reception features:

- Automatic TPS signaling decoding;
- Fully compliant to all the standard Guard Intervals;
- Fully compliant to all the standard Code Rates
- Fully compliant to all the standard Constellations;
- Fast automatic 2k – 8k acquisition;
- Automatic spectral inversion.

## DVB-T2 features

DVB-T2 signal reception features:

- Automatic L1 signaling decoding;
- Fully compliant to all the standard Guard Intervals;
- Fully compliant to all the standard Code Rates
- Fully compliant to all the standard Constellations;
- Provides manual selection of a single stream from single or multiple PLP input signal;
- Automatic output constant stream rate;

## Other Features

Multi viewer provides the following monitoring and statistics:

- SNR estimation;
- MER measure;
- Pre LDPC BER;
- Pre BCH BER;
- Post BCH FER (FEC block Error Rate);
- Percentage signal quality;
- P1 parameters monitoring;
- L1 pre parameters monitoring;
- L1 post parameters monitoring;

Management of the devices is made through:

- Java GUI on Ethernet connection;
- SNMP agent (future release);
- Free front panel push button management

## Physical Outputs

- 1 x SDI-SD Output  
Connector: BNC  
R Input: 75 Ohm  
V Input: 800 mVpp (500 to 1200 mVpp)  
Standard: SMPTE 259M,292M
- 1 x RGB-SD Outputs  
3 Connector RCA (R,G,B)
- 1 x CVBS-SD Outputs  
Composite Video Blanking Sync  
Connector RCA
- 1 x HDMI-HD/SD Output  
Connector HDMI Type A
- 1 x YUV-HD Output  
3 Connector XLR (Y,U,V)
- 1 x Audio Output  
2 audio connectors Left Et Right

## Audio/Video decoder features

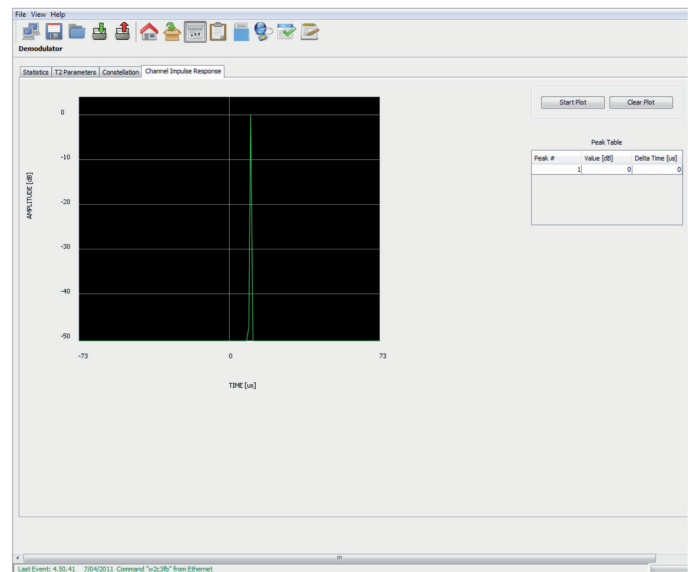
Video standard supported:

- H.264/AVC: Level 4.1 high profile video decoder
- MPEG-2: MP@HL
- HD video resolution supported:

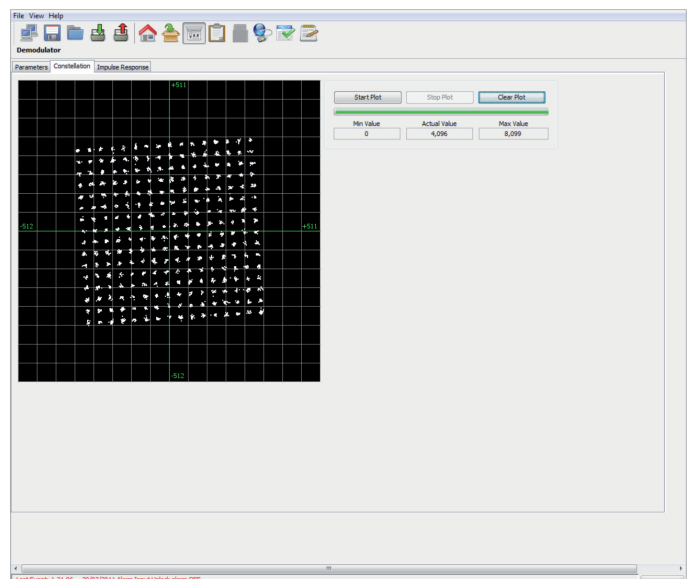
- 1920x180i30
- 1920x1080i25
- 1280x720p60
- 1280x720p50
- HD video resolution supported:
- PAL-BG: 720x576i25
- NTSC: 720x480i

Audio standard supported:

- MPEG-2, layer I
- MPEG-2, layer II



Java interface - Impulse Response



Java interface - Rotate Constellation

